



# AC ELECTRIC FORKLIFT 2-3.5 ton



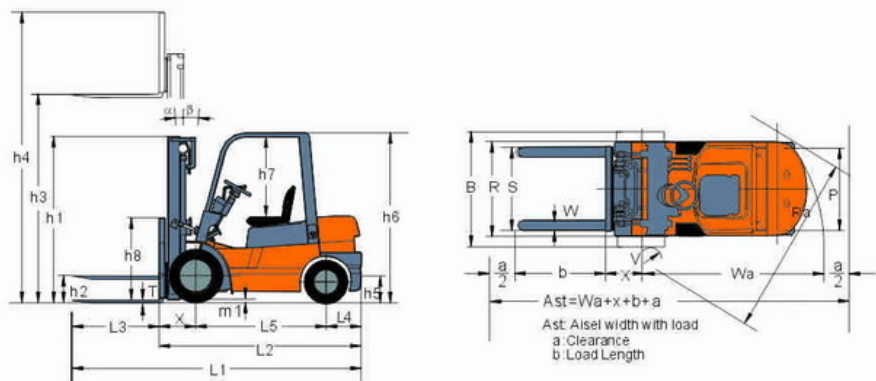
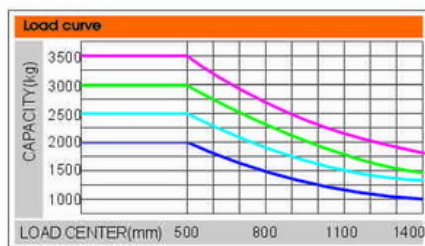
Characteristics									
1	Manufacturer	<b>HELI</b>							
2	Model	CPC20	CPCD20	CPC25	CPCD25	CPC30	CPCD30	CPC35	CPCD35
3	Power unit	Diesel							
4	Rated Capacity	Q(kg)	2000	2500		3000		3500	
5	Load Center	C(mm)	500						
6	Operation	Seated							
7	Overall max.lifting height (with backrest)	h4(mm)	3995	3995		4227		4222	
8	Max.Lifting height	h3(mm)	3000						
9	Free lift height	h2(mm)	170	170		160		170	
10	Height mast retracted(upright)	h1(mm)	2000	2000		2070		2180	

Dimensions									
11	Overall height(overhead guard)	h6(mm)	2070	2070		2090		2090	
12	Overall length(with forks)	L1(mm)	3442	3667		3772		3783	
13	Overall length(without forks)	L2(mm)	2522	2597		2702		2713	
14	Overall width	B(mm)	1150	1150		1225		1225	
15	Front overhang	X(mm)	482	482		487		498	
16	Rear overhang	L4(mm)	440	515		515		515	
17	Wheel base	L5(mm)	1600	1600		1700		1700	
18	Min.ground clearance under mast	m1(mm)	110	110		135		135	
19	Tread(front/rear)	R/P(mm)	970/970	970/970		1000/970		1000/970	
20	Outside turning radius	Wa(mm)	2170	2240		2400		2420	
21	min.intersecting aisle	Ra(mm)	2200	2280		2380		2400	
22	Tilting angles(forward/backward)	$\alpha/\beta$ (°)	6° /12°						
23	Fork dimensions(a×b×c)	mm	920×100×45	1070×100×45		1070×125×45		1070×125×50	

Performance									
24	Max. Traveing speeds ( laden/unladen)	km/h	17/19			18/19		19/19	
25	Lifting Speeds( laden/unladen)	mm/s	530/550			440/480		330/370	
26	Lowering Speeds( laden/unladen)	mm/s	450/550			450/500		350/400	
27	Max. Draw-bar pull ( laden/unladen)	kN	14.2/9	16.4/9	13.7/8.6	16.2/8.6	13.5/9.8	16/9.8	16.7/11.8 20.6/11.8
28	Max. Negotiable Gradient( laden/unladen)	%	23/20	25/20	20/17	21.5/17	15/17	16/17	20/15 22/15
29	Battery (voltage/capacity)	V/Ah	12/80						
30	Tyre size (front)		7.00-12-12PR			28×9-15-12PR		28×9-15-14PR	
31	Tyre size(rear)		6.00-9-10PR			6.50-10-10PR		6.50-10-10PR	
32	Service Mass	kg	3320	3680		4270		4700	

Engine										
33	Internal Combustion Engine Model		KUBOTA V2403					KUBOTA V3600		
34	Internal Combustion Engine Rated Output	KW/rpm	35.4/2400			36.5/2600		46.9/2400		
35	Internal Combustion Engine Rated Torque	NM/rpm	161.3/1600			164/1500		210/1600		
36	Internal Combustion Engine Displacement	L	2.434					3.62		
37	Internal Combustion Engine Fuel Tank Capacity	L								
38	Transmission Number of Speed Fwd/Bwd type		1-1Power Shift T/M/2-2 Manual Shift T/M							

Engine Model and Main Specification for Option				
Internal Combustion Engine Model	Internal Combustion Engine Rated Output	Internal Combustion Engine Rated Torque	Internal Combustion Engine Displacement	Internal Combustion Engine Number of Cylinder
NISSAN K21	31.2/2250	143.7/1600	2.065	4
NISSAN K25	37.6/2400	176.5/1600	2.488	4
ISUZU 4JG2	44.9/2450	184.7/1600-1800	3.05	4
ISUZU C240	35.4/2500	139.9/1800	2.369	4
JMC 493	39/2500	165/1800	2.771	4



**ANHUI HELI CO., LTD.**  
 ADDR 15 WEST WANGJIANG ROAD, HEFEI, ANHUI, P.R.CHINA  
 TEL (86 551) 3630806, 3648005  
 FAX (86 551) 3633431  
 WEBSITE <http://www.helichina.com>

\*Details of specifications and equipment are based on information available at the time of printing and may change without notice.  
 AUTHORIZED DEALER